

SCALTA

INDUSTRIAL TABLET



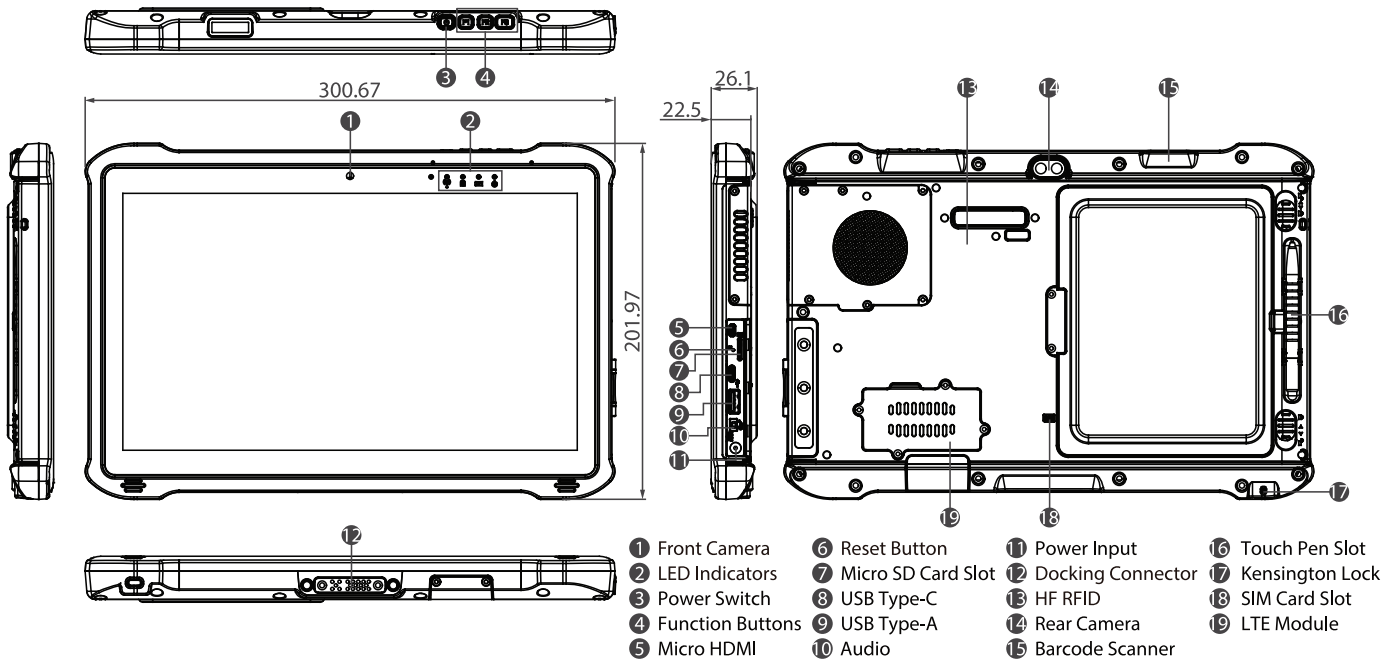
Features & Application:

- Scalta waterproof tablet is designed with a dust-tight and splashproof IP65 rating. It can also withstand shock, drop, vibration, and a wide range of operating temperatures, allowing the tablet to be used in harsh environments for industrial and Defence use
- The waterproof Scalta comes with a 10-point PCAP touchscreen that offers accurate intuitive controls and user-friendly experiences
- offers a tablet in 11.6 inches panels, 1920 x 1080 LED high resolution, and sunlight readable display to provide comfort and perfect for viewing under different conditions..
- Scalta are designed with the Intel Tiger Lake processors to provide high performance and low power consumption, providing extended battery life.
- It supports Windows IoT Enterprise operating system to fulfill the increasing requirement in industrial and rugged applications.
- Real-time data access to the correct information is critical to fielding service mobile users. Scaltra supports WWAN, WLAN, GPS, and BT to allow users to connect in the way that best suits their needs. or HF RFID Reader.

SCALTA - INDUSTRIAL TABLET

- Real-time data access to the correct information is critical to fielding service mobile users. M116TG supports WWAN, WLAN, GPS, and BT to allow users to connect in the way that best suits their needs. Apart from the 2MP front camera and 8MP rear camera, the M116TG is equipped with an optional 1D/2D Barcode Reader or HF RFID Reader.

SCALTA - DIMENSIONS(MM)



SCALTA SPECIFICATIONS:

CPU	Intel® Core™ i5-1135G7 @ 2.40GHz, up to 4.20GHz
Memory	16GB DDR4
Storage	512GB SSD
WiFi/BT/GPS	Yes
P-Cap Touch	Yes
OS	Windows 10 IoT Enterprise
Battery	Hotswappable 10.8V, typ. 4700 mAh Li-Polymer Battery (3S2P)
Back camera	8MP Rear camera with auto-focus and LED light
Front camera	2MP Front Camera
Lan	Port on board
Hdmi	Yes, 1x micro hdmi
4G/LTE to Europe	Yes, Quectel EM06-E
HF RFID reader 13.56 MHz	Yes
1D/2D barcode reader	Yes

**ADAPTER AND POWER CORD
SCALTA ADDC**



**VEHICLE CHARGER
SCALTA AD**



**CAPACITIVE STYLUS
SCALTA TP**



**STANDARD BATTERY
SCALTA TB**



**DESK DOCK
SCALTA TD2**



**VEHICLE CRADLE
SCALTA VD**



**SHOULDER STRAP
SCALTA CS**



**CARRBY BAG
SCALTA CB**



**VESA MOUNT KIT
SCALTA BP**



**BATTERY CHARGER
SCALTA TD**



**HAND STRAP
SCALTA CH**

